
Q26 – DATRAN II eXce/ IO Expansion

Quick-Start Guide



Module Address

As an IO expansion module that communicates with the master RTU (eXcel or QRTU) on the RS485 bus, the module must have an address that is unique to that bus. The expansion module is factory preset to address 3. Therefore if multiple expansion modules are to be used on the same RS485 bus then their addresses must be configured. This is achieved by setting a code on the block of 8 DIP switches located internally to the IO expansion module casing.

The code for address is a binary code with switch 1 being the least significant bit. This means that each switch has a numeric value associated with it, and the resultant address is calculated when you add all the switch values that are in the “ON” state.

The module address can be any number between 1 and 239. The module address 0 is a reserved address while module address 255 is used to re-load the factory default configuration settings.

The value of each switch is as follows:

Module Address Switch Values								
Switch Number	1	2	3	4	5	6	7	8
Value	1	2	4	8	16	32	64	128

For example, if a module needs an address of 22, the correct setting would be to have switches 2, 3 and 5 on and the rest off. (2+4+16 = 22).

The back of the Q26 Users Guide has a full table of all valid addresses and their corresponding DIP switch settings.

Status LED's

- ON : This green LED is always on when the module is powered.
- OK : This green LED flashes on a 1 second cycle to show the CPU has not locked up. If it is on solidly or stays off, then the eXcel needs attention.
- IP : This yellow LED indicates that the module is currently sending comms out its IPB port to communicate with the RTU.
- ER : This red LED is the Error Indication LED. The LED will flash a certain number of times to indicate any error messages the module has been configured to display from Q90.

Number of Flashes	4	5
Message	IPB Comms Fail	Digital Outputs Fail

Supply Voltage and Connections

The module is able to operate from 12V - 30VDC.

The module power connector has three connections labeled “G”, “+” and “C”.



- G Power Supply Negative
- + Power Supply Positive (12V – 30VDC)
- C Option for remote power control from a master RTU.



The “C” terminal is a control INPUT. Do not connect it to the supply

Digital Inputs

The module’s digital inputs are designed to interface easily with physical switching devices. They have an internal pull-up resistor that will pull the input terminal to the power supply ‘+’ when the input is open circuit (the “OFF” state).

To turn a digital input ON, connect it (via a set of contacts if necessary) to the common “G” terminal on the Digital Input terminal block. All “G” terminals on the module are tied internally to the “G” terminal on the power supply connector.

The module has 16 digital inputs with an LED associated with each. This will illuminate when the input is Active/On/Closed.



The pull up / pull down convention is different from some PLCs. If required, the active state of I/O can be inverted in the eXcel control program or PLC

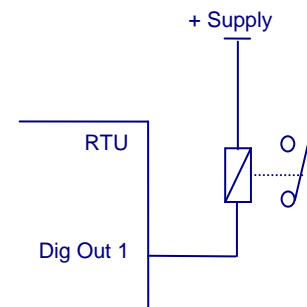
Digital Outputs

As with the Digital Inputs, the module Digital Outputs are designed to be easily interfaced with relays and contactors.

The module has 8 Digital Outputs in total. The first four are located on the front panel adjacent to the Digital Inputs and have LED indicators to show if the output is active or not. The second four Digital Outputs are located on the underside of the module next to the power connector, labeled “Aux Out”.

The Digital Outputs work as “Current Sinks”. This means that when they are turned on, they will be connected to power supply ground, allowing current to flow into the output terminal to ground. When in the “OFF” state, they have a high impedance to ground and will float up to + Supply.

To use a digital output with a relay, wire as shown in the diagram



Factory Presets

When you receive your Q26 IO Expansion module it will be configured with the following settings:

RS485 Address	3 (as configured by the internal dipswitch setting)
RS485 Baud Rate	9600



QTech Data Systems Ltd

12 Midas Place, Middleton, Christchurch 8024

PO Box 9087, Tower Junction, Christchurch 8149

Ph: +64 3 366 3713

Fx: +64 3 365 2815

admin@qtech.co.nz

techsupport@qtech.co.nz

www.qtech.co.nz