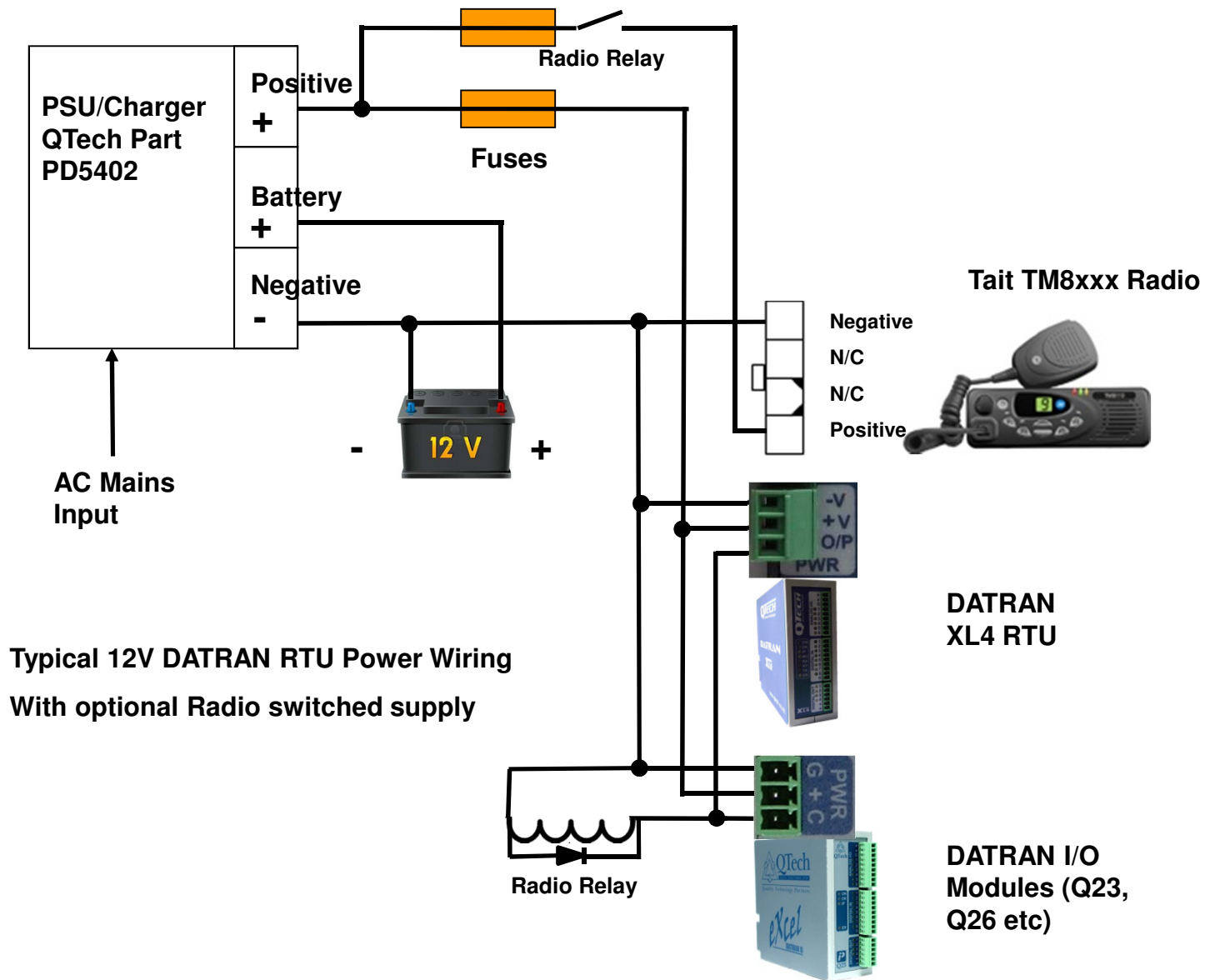


Typical 12V DATRAN RTU Power Wiring



The "C" terminal on eXcel products is a control output, do not connect to the supply lines



Typical 12V DATRAN RTU Power Wiring
With optional Radio switched supply



The "C" terminal on eXcel products is a control output, do not connect to the supply lines